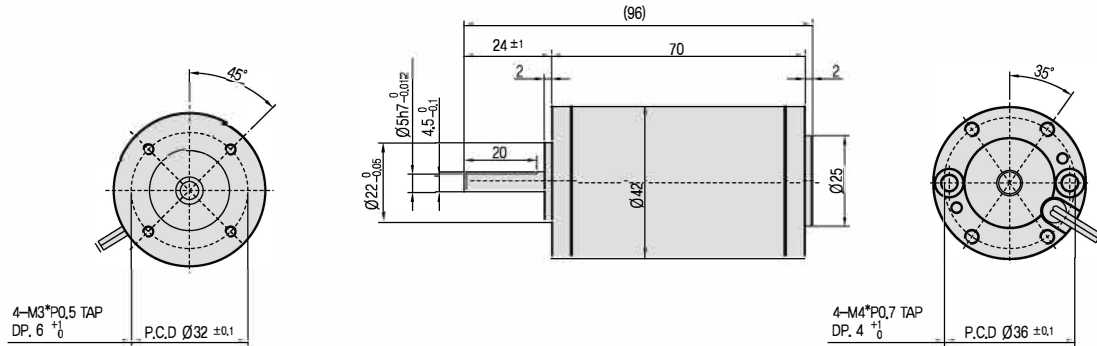


# Powermec

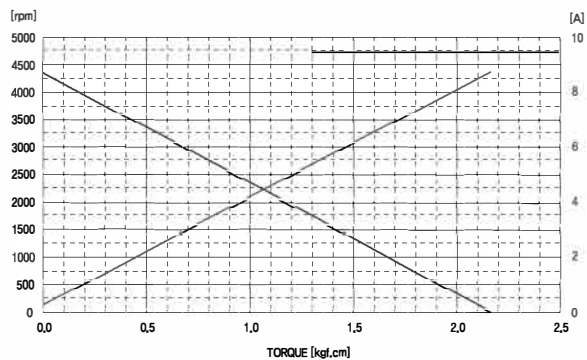
## ■ XD4215 Series DC Motor Dimension



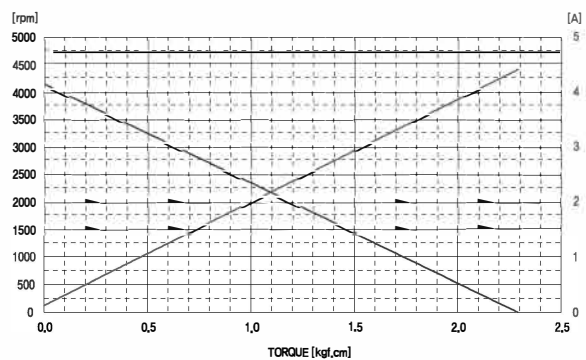
## ■ XD4215 Series DC Motor Data Sheet

Data	units	XD4215 Series		
		12	24	40
Rated voltage	[Vd,c]	12	24	40
No load speed	[r/min]	4350	4200	4400
No load current	[A]	0,45	0,20	0,15
Rated torque	[kgf.cm]	0,45	0,45	0,41
	[Ncm]	4,4	4,4	4,0
Rated speed	[r/min]	3300	3300	3600
Rated current	[A]	2,10	0,94	0,56
Rated Output power	[W]	15	15	15
Stall torque	[kgf.cm]	2,05	2,18	2,14
	[Ncm]	20,1	21,4	21,0
Stall current	[A]	9,6	4,8	3,0
Demagnetization current	[A]	14	6,5	4,1
Weight	[kg]	0,37	0,37	0,37

### ■ XD4215-12 Characteristic diagram, 12Vd.c



### ■ XD4215-24 Characteristic diagram, 24Vd.c



### ■ XD4215-40 Characteristic diagram, 40Vd.c

