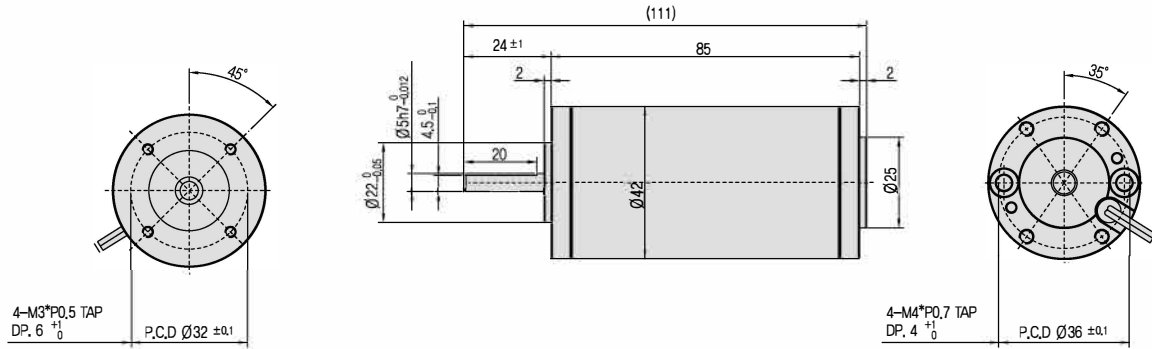


# Powermec

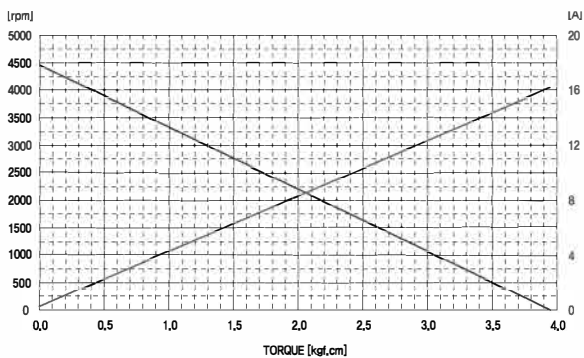
## ■ XD4220 Series DC Motor Dimension



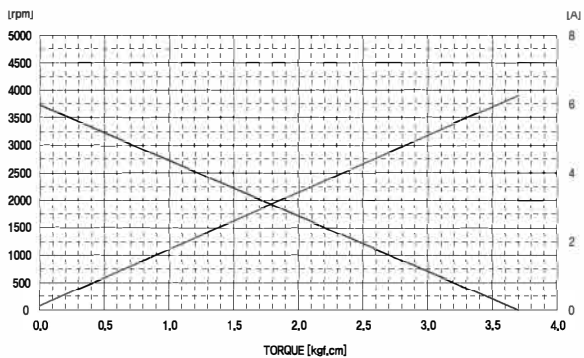
## ■ XD4220 Series DC Motor Data Sheet

Data	units	XD4220 Series		
Rated voltage	[Vd.c]	12	24	40
No load speed	[r/min]	4550	3800	3950
No load current	[A]	0.50	0.25	0.15
Rated torque	[kgf.cm]	0.52	0.66	0.59
	[Ncm]	5.1	6.5	5.8
Rated speed	[r/min]	3750	3000	3300
Rated current	[A]	2.60	1.23	0.70
Rated Output power	[W]	20	20	20
Stall torque	[kgf.cm]	3.75	3.52	3.63
	[Ncm]	36.8	34.5	35.6
Stall current	[A]	17.8	6.9	4.6
Demagnetization current	[A]	24	10.5	6.3
Weight	[kg]	0.48	0.48	0.48

## ■ XD4220-12 Characteristic diagram, 12Vd.c



## ■ XD4220-24 Characteristic diagram, 24Vd.c



## ■ XD4220-40 Characteristic diagram, 40Vd.c

