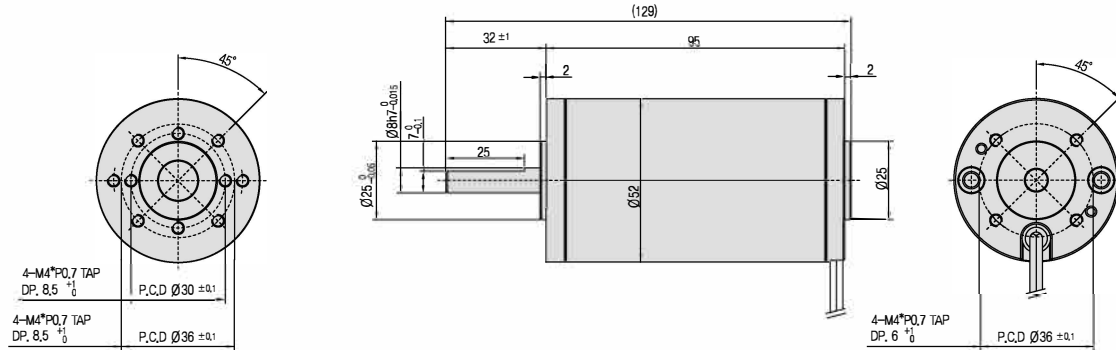


# Powermec

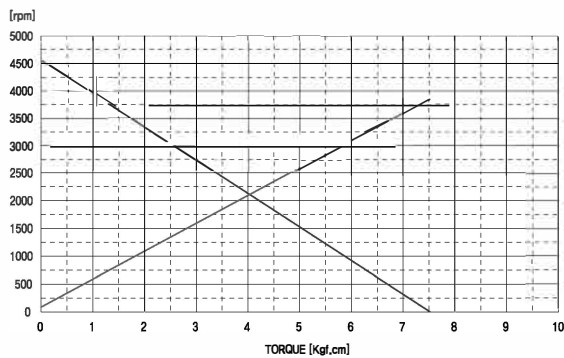
## ■ XD5240 Series DC Motor Dimension



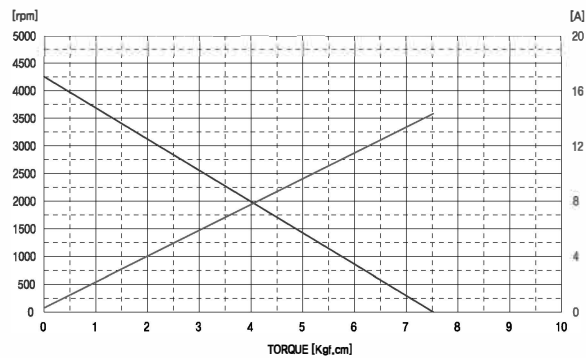
## ■ XD5240 Series DC Motor Data Sheet

Data	units	XD5240 Series			
		12	24	40	60
Rated voltage	[Vd.c]	12	24	40	60
No load speed	[r/min]	4500	4200	4300	4600
No load current	[A]	1.20	0.60	0.20	0.14
Rated torque	[kgf.cm]	0.99	1.07	1.08	0.98
	[Ncm]	9.7	10.5	10.6	9.6
Rated speed	[r/min]	3955	3650	3650	3990
Rated current	[A]	4.7	2.5	1.4	0.95
Rated Output power	[W]	40	40	40	40
Stall torque	[kgf.cm]	7.1	7.1	7.0	8.1
	[Ncm]	70.0	70.1	69.1	79.0
Stall current	[A]	34.0	15.8	9.5	7.7
Demagnetization current	[A]	42	20	12	8.5
Weight	[kg]	0.8	0.8	0.8	0.8

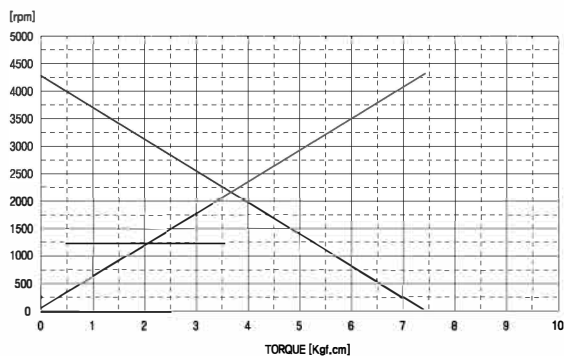
### ■ XD5240-12 Characteristic diagram, 12Vd.c



### ■ XD5240-24 Characteristic diagram, 24Vd.c



### ■ XD5240-40 Characteristic diagram, 40Vd.c



### ■ XD5240-60 Characteristic diagram, 60Vd.c

