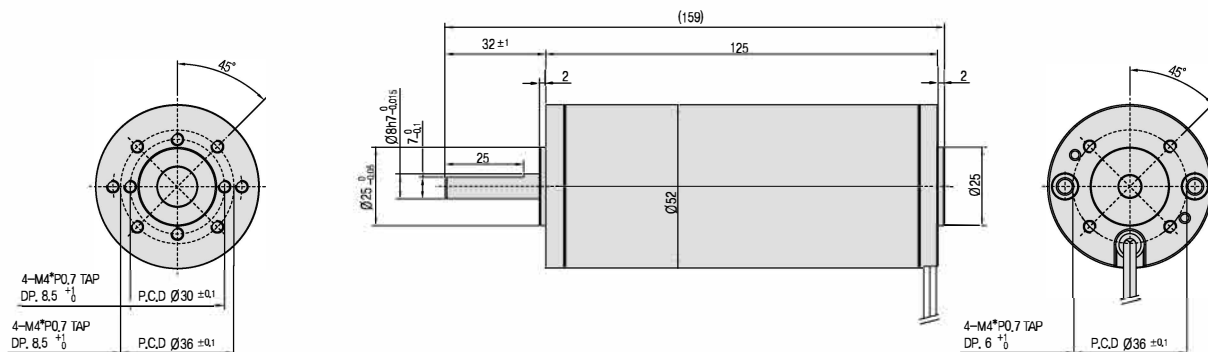


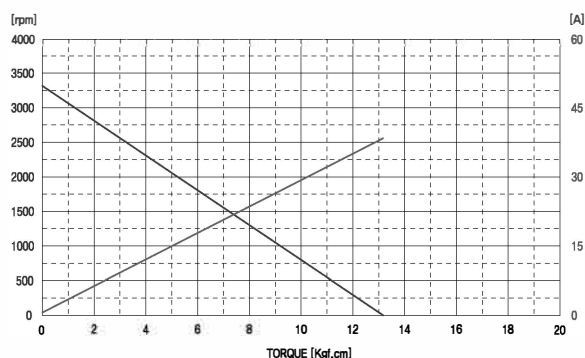
■ XD5260 Series DC Motor Dimension



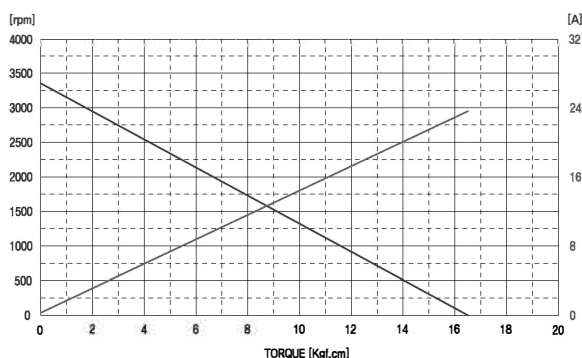
■ XD5260 Series DC Motor Data Sheet

Data	units	XD5260 Series			
Rated voltage	[Vd.c]	12	24	40	60
No load speed	[r/min]	3200	3250	3450	3600
No load current	[A]	1,20	0,60	0,35	0,25
Rated torque	[kgf.cm]	2,09	1,90	1,80	1,70
	[Ncm]	20,5	18,6	17,7	16,7
Rated speed	[r/min]	2800	3100	3250	3450
Rated current	[A]	6,80	3,30	1,94	1,30
Rated Output power	[W]	60	60	60	60
Stall torque	[kgf.cm]	12,5	15,7	17,9	18,1
	[Ncm]	122,7	153,8	175,3	177,8
Stall current	[A]	42,2	26,0	18,6	13,2
Demagnetization current	[A]	61	31	20	13,5
Weight	[kg]	1,15	1,15	1,15	1,15

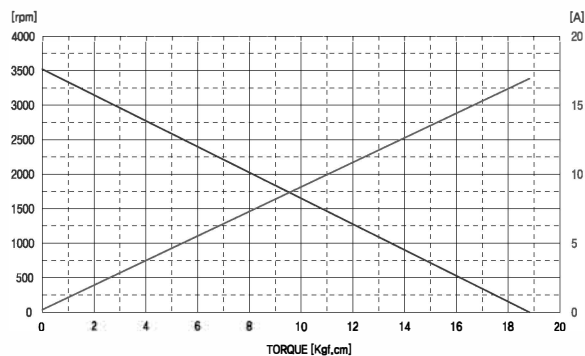
■ XD5260-12 Characteristic diagram, 12Vd.c



■ XD5260-24 Characteristic diagram, 24Vd.c



■ XD5260-40 Characteristic diagram, 40Vd.c



■ XD5260-60 Characteristic diagram, 60Vd.c

