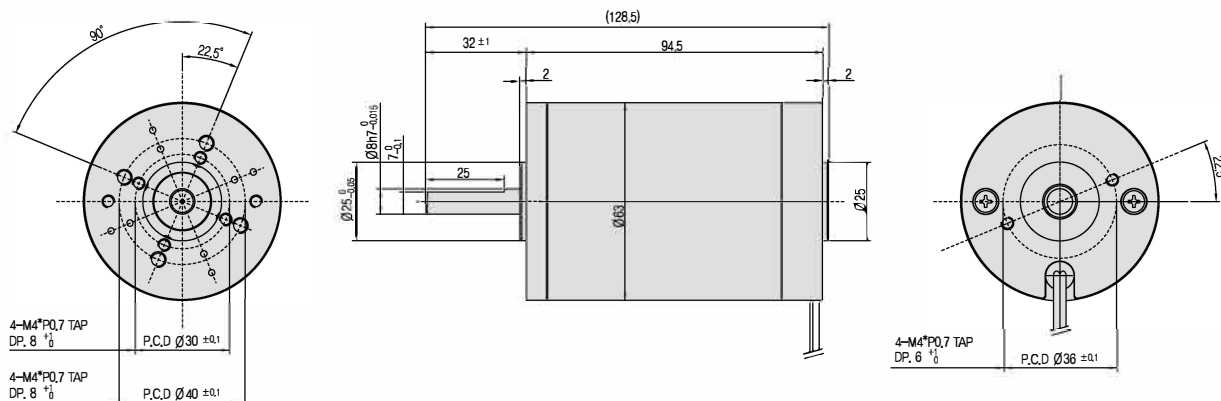


# Powermec

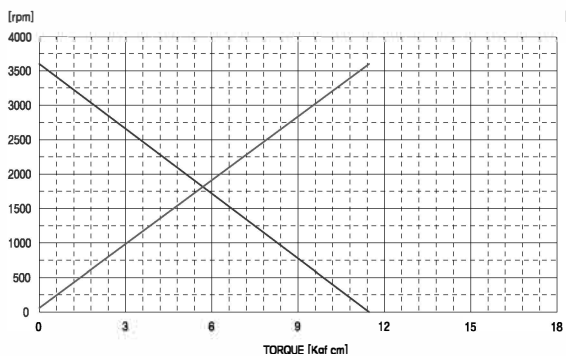
## XD6350 Series DC Motor Dimension



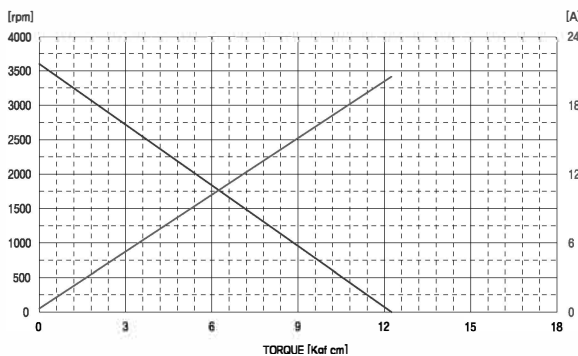
## XD6350 Series DC Motor Data Sheet

Data	units	XD6350 Series			
Rated voltage	[Vd,c]	12	24	40	60
No load speed	[r/min]	3600	3600	3800	3600
No load current	[A]	1.2	0.6	0.4	0.25
Rated torque	[kgf.cm]	1.40	1.47	1.42	1.46
	[Ncm]	13.7	14.4	13.9	14.3
Rated speed	[r/min]	3150	3300	3450	3350
Rated current	[A]	4.9	2.6	1.7	1.0
Rated Output power	[W]	45	50	50	50
Stall torque	[kgf.cm]	10.9	11.6	14.3	13.7
	[Ncm]	106.9	114.1	139.7	134.2
Stall current	[A]	39.6	22.5	17.5	10.8
Demagnetization current	[A]	50	24	16	9.5
Weight	[kg]	1.2	1.2	1.2	1.2

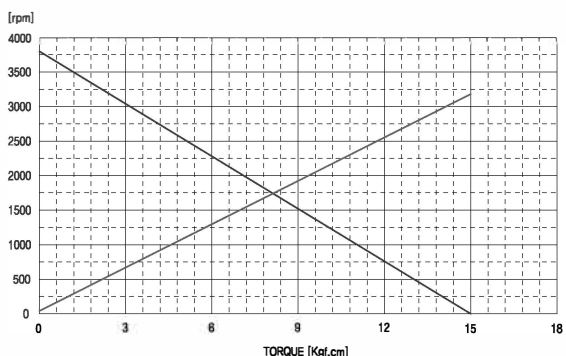
### XD6345-12 Characteristic diagram, 12Vd.c



### XD6350-24 Characteristic diagram, 24Vd.c



### XD6350-40 Characteristic diagram, 40Vd.c



### XD6350-60 Characteristic diagram, 60Vd.c

