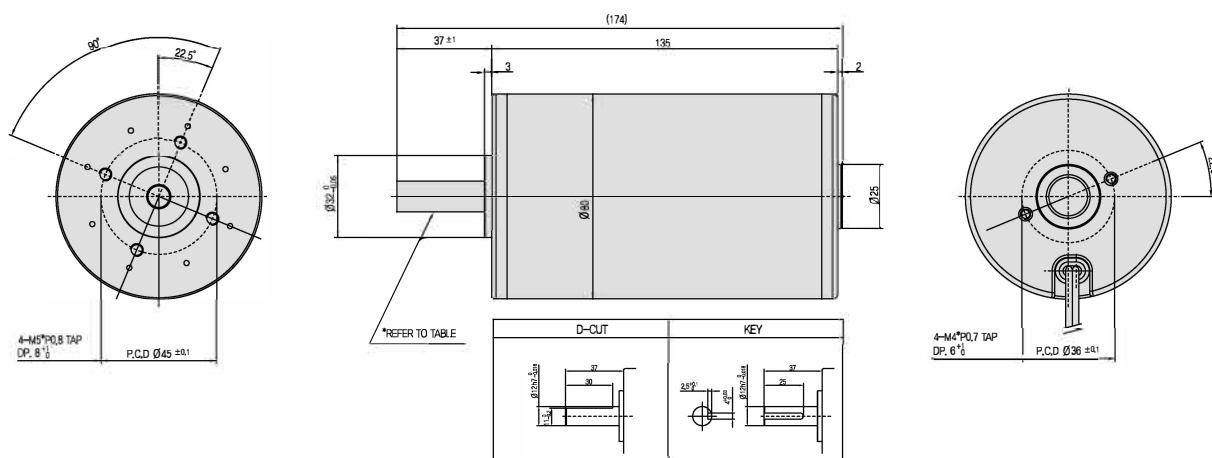


# Powermec

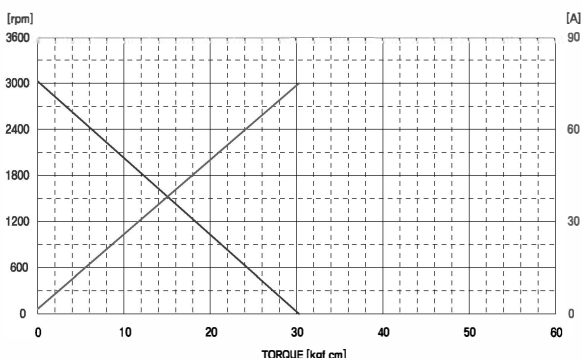
## ■ XD80120 Series DC Motor Dimension



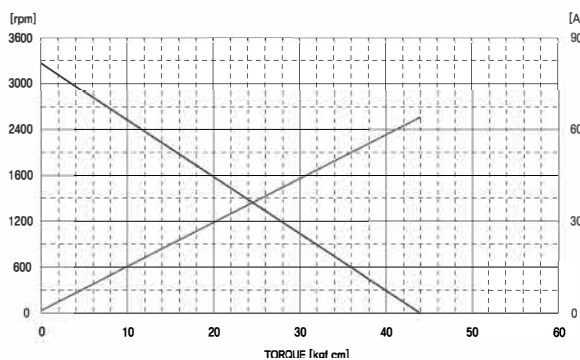
## ■ XD80120 Series DC Motor Data Sheet

Data	units	XD80120 Series			
		12	24	40	60
Rated voltage	[Vd,c]	12	24	40	60
No load speed	[r/min]	3100	3200	3450	3400
No load current	[A]	2,5	1,8	1,2	0,6
Rated torque	[kgf.cm]	3,97	3,64	3,40	3,50
	[Ncm]	38,9	35,7	33,3	34,3
Rated speed	[r/min]	2945	3210	3440	3350
Rated current	[A]	12,6	5,8	4,0	2,6
Rated Output power	[W]	120	120	120	120
Stall torque	[kgf.cm]	28,8	41,8	43,8	48,9
	[Ncm]	282,2	409,5	429,3	479,5
Stall current	[A]	82,5	70,4	49,5	37,3
Demagnetization current	[A]	96	48	32	20
Weight	[kg]	2,7	2,7	2,7	2,7

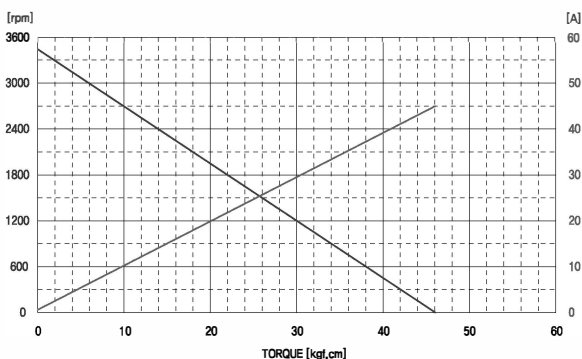
### ■ XD80120-12 Characteristic diagram, 12Vd,c



### ■ XD80120-24 Characteristic diagram, 24Vd,c



### ■ XD80120-40 Characteristic diagram, 40Vd,c



### ■ XD80120-60 Characteristic diagram, 60Vd,c

