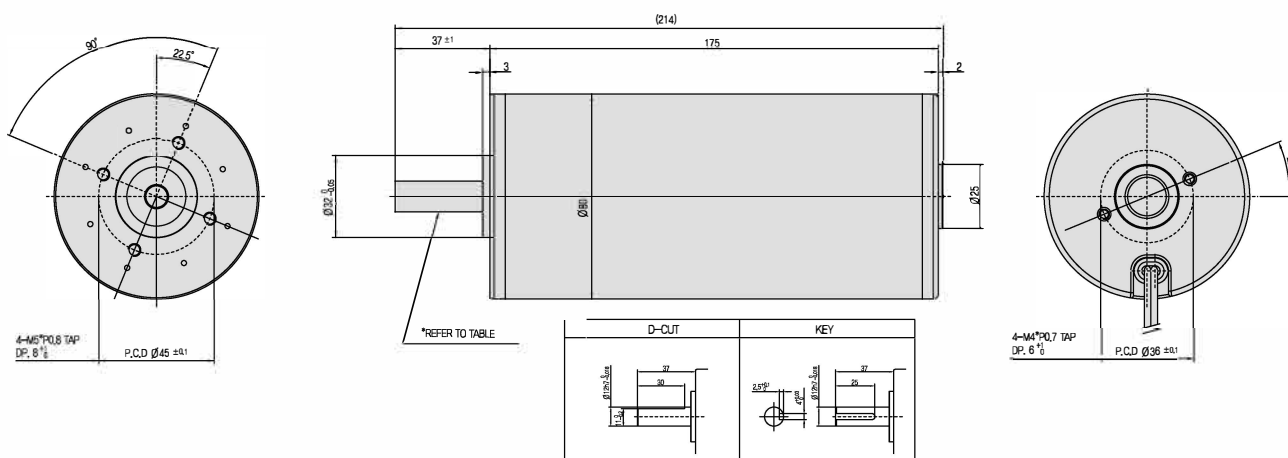


Powermec

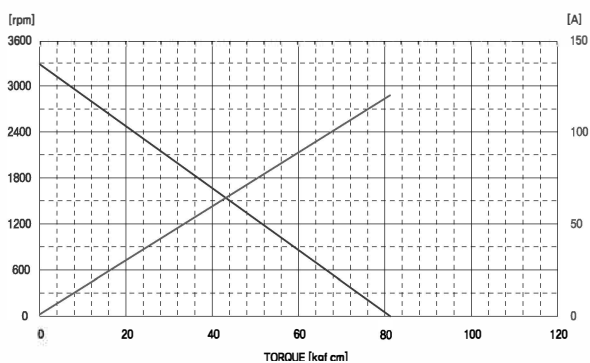
■ XD80220 Series DC Motor Dimension



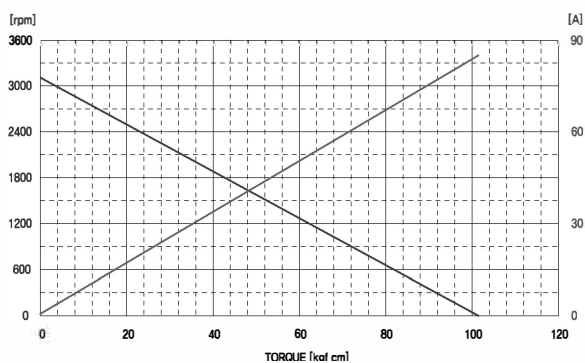
■ XD80220 Series DC Motor Data Sheet

Data	units	XD80220 Series		
		24	40	60
Rated voltage	[Vd.c]	24	40	60
No load speed	[r/min]	3200	3000	3100
No load current	[A]	1,8	1,2	0,8
Rated torque	[kgf.cm]	6,41	6,80	6,50
	[Ncm]	62,9	66,7	63,7
Rated speed	[r/min]	3350	3150	3300
Rated current	[A]	11,1	6,2	4,2
Rated Output power	[W]	220	220	220
Stall torque	[kgf.cm]	77,2	96,5	97,2
	[Ncm]	756,7	945,9	953,2
Stall current	[A]	132,0	93,5	63,8
Demagnetization current	[A]	91	51	36
Weight	[kg]	3,75	3,75	3,75

■ XD80220-24 Characteristic diagram, 24Vd.c



■ XD80220-40 Characteristic diagram, 40Vd.c



■ XD80220-60 Characteristic diagram, 60Vd.c

