

Technical Data Sheet

Photovoltaic (PV) Enclosed Switchgear Range

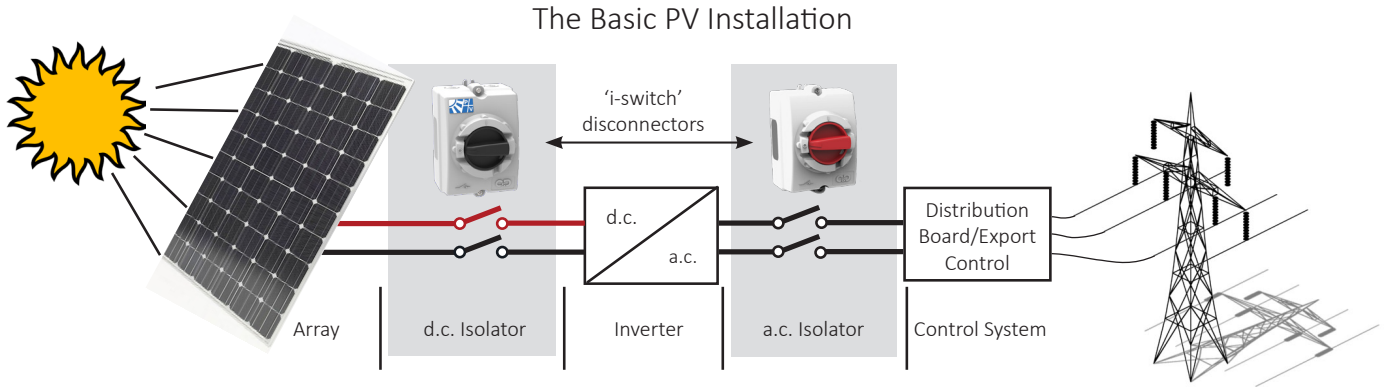
CDPD147
Issue 3

Photovoltaic (PV) Enclosed Switchgear

Solar power is an environmentally friendly method of producing electricity and is achieved using Photovoltaic (PV) cells that capture sunlight and convert it to electricity. By combining cells into an array, different voltages and current combinations can be achieved.

Once installed an array will continue to generate voltage and current and it is therefore essential to isolate the array in the event of a fault or for maintenance purposes. To enable this Craig & Derricott have developed a range of DC switch-disconnectors to manage this specific application.

*1 Designed to isolate twin arrays




Switch-Disconnectors (O-I)								
Image	Rating	Format	Cat. No.	Internal Switch	Encl. Size	Encl. Material	IP Rating	Encl. Colour
	16A	DC 2P	EPV162	SPV162	E	PA / ABS	IP66	Light Grey RAL 7035
		DC 4P	PVP164	SPV164	B	PC / ABS	IP65	
		Twin Array DC 2x 2P	PVP1622*1	SPV1622*1				
	25A	DC 2P	EPV252	SPV252	E	PA / ABS	IP66	Light Grey RAL 7035
		DC 3P	EPV253	SPV253				
		DC 4P	PVP254	SPV254	B	PC / ABS	IP65	
	32A	Twin Array DC 2x 2P	PVP2522*1	SPV2522*1	E	PA / ABS	IP66	Light Grey RAL 7035
		DC 2P	EPV322	SPV322				
		DC 3P	EPV323	SPV323				
	40A	DC 4P	PVP324	SPV324	B	PC / ABS	IP65	Light Grey RAL 7035
		Twin Array DC 2x 2P	PVP3222*1	SPV3222*1				
		DC 2P	EPV402	SPV402	E	PA / ABS	IP66	
DC 3P		EPV403	SPV403					
DC 4P	PVP404	SPV404	B	PC / ABS	IP65			
	Twin Array DC 2x 2P	PVP4022*1	SPV4022*1					

Technical Data Sheet

Photovoltaic (PV) Enclosed Switchgear Range

CDPD147
Issue 3

Switch-Disconnectors (O-I)						
Image	Rating	Format	Internal Switch Cat. No.	Max. enclosure depth with SSH18 shaft	H1	H2
	16A	DC 2P	SPV162	248	50.5	28
		DC 4P	SPV164	270	72.5	50
		Twin Array DC 2x 2P	SPV1622*1	270	72.5	50
	25A	DC 2P	SPV252	248	50.5	28
		DC 3P	SPV253	259	61.5	39
		DC 4P	SPV254	270	72.5	50
	32A	Twin Array DC 2x 2P	SPV2522*1	270	72.5	50
		DC 2P	SPV322	248	50.5	28
		DC 3P	SPV323	259	61.5	39
	40A	DC 4P	SPV324	270	72.5	50
		Twin Array DC 2x 2P	SPV322*1	270	72.5	50
		DC 2P	SPV402	248	50.5	28
		DC 3P	SPV403	259	61.5	39
	40A	DC 4P	SPV404	270	72.5	50
		Twin Array DC 2x 2P	SPV4022*1	270	72.5	50

Technical Specification - Photovoltaic (PV)

Data supplied against tests to IEC/BS EN 60947-3.

2 Pollution Degree 2

Cat. No.		Rated Operational Voltage d.c.					
		300/400V	600V	800V	1,000V	1,200V ²	1,500V ²
EPV162	Rated Operational Current (DC21B)	16A	16A	16A	16A	-	-
PVP164		-	-	-	-	16A	16A
EPV252		25A	25A	25A	16A	-	-
EPV253		-	-	-	25A	-	-
PVP254		-	-	-	-	20A	16A
EPV322		32A	32A	-	-	-	-
EPV323		-	-	32A	32A	-	-
PVP324		-	-	-	-	25A	20A
EPV402		40A	-	-	-	-	-
EPV403		-	40A	40A	-	-	-
PVP404		-	-	-	40A	32A	25A
PVP1622		Rated Operational Current (DC21B)	16A	16A	16A	16A	-
PVP2522	25A		25A	25A	16A	-	-
PVP3222	32A		32A	-	-	-	-
PVP4022	40A		-	-	-	-	-

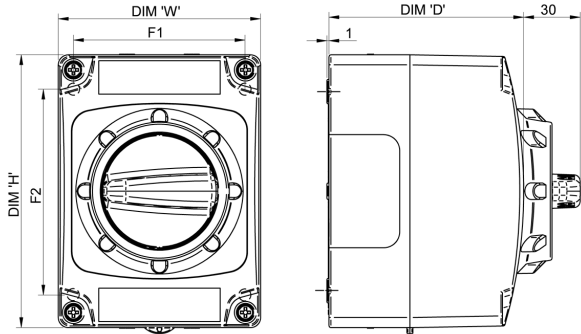
Technical Data Sheet

Photovoltaic (PV) Enclosed Switchgear Range

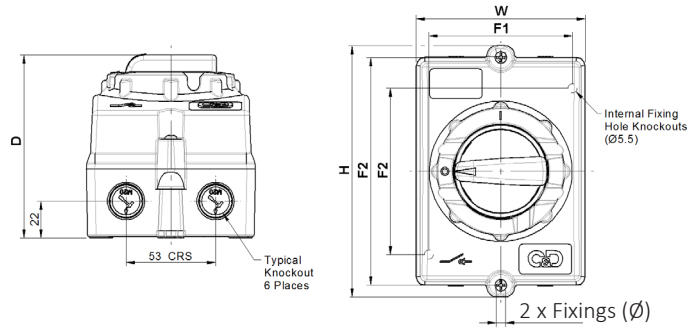
CDPD147
Issue 3

Photovoltaic (PV) Switchgear

Size B

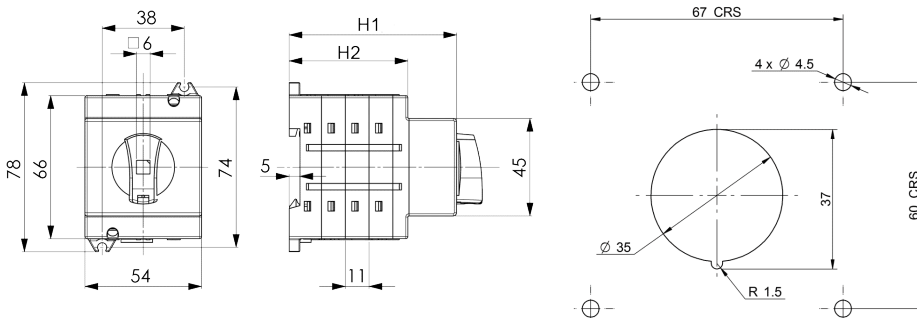


Size E



Encl. Size	Overall Dims.			Fixing details			Knockouts		
	H	W	D	F1	F2	Ø	Top	Btm	Back
B	175	130	115	115	135	5.5	2x Combination M20 / M25	2x M20	2x M20
E	149	100	108.5	85	136.5 / 98.5	5.5	2x M20	2x M20	2x M20

Interior Switch



Cat. No.	H1	H2
SPV162	50.5	28
SPV164	72.5	50
SPV1622*1	72.5	50
SPV252	50.5	28
SPV253	61.5	39
SPV254	72.5	50
SPV2522*1	72.5	50
SPV322	50.5	28
SPV323	61.5	39
SPV324	72.5	50
SPV322*1	72.5	50
SPV402	50.5	28
SPV403	61.5	39
SPV404	72.5	50
SPV4022*1	72.5	50