

# Technical Data Sheet

## Stainless Steel Enclosed Switchgear Range

CDPD113  
Issue 3

### Stainless Steel Enclosed Switchgear

A range of isolation equipment housed in Grade 304 stainless steel enclosures sealed to IP66. All units have a padlockable handle which allow for the A range of isolation equipment housed in Grade 304 stainless steel enclosures sealed to IP66. All units have a padlockable handle which allow for the insertion of up to three padlocks in the 'Off' position thus preventing the isolator being switched to the 'On' position. All units are interlocked in the ON position preventing the lid from being removed.

As a standard feature the units have the ability to add a selection of auxiliary blocks providing additional contacts and a choice of Neutral assemblies. External mounting feet in stainless steel are offered as an accessory sized to match each enclosure. The range is supplied with a handle manufactured from a material suitable to withstand cleaning products containing sodium hydroxide.

Stainless Steel Grade 316 enclosures are available on request.

'N' = switched neutral (Early make, late break) | 'NL' = Unswitched neutral | 'EB' = Early break auxiliary contacts

Switch-Disconnectors (O-I)									
Image	Rating	Interior Switch	Format	Cat. No.	Encl. Size	Encl. Material	IP Rating	Encl. Colour	Cable Entries
	20A	GX20	6P	SDS206	A	Stainless Steel Grade 304	IP66	Brushed Satin Finish	2 x M20
			6P+2EB Aux	SDS206EB					
	25A	CS25	2P	SDS252	A	Stainless Steel Grade 304	IP66	Brushed Satin Finish	2 x M20
			3P	SDS253					
			3P+NL	SDS253NL					
			3P+N	SDS253N					
			3P+2EB Aux	SDS253EB					
	32A	CS32	2P	SDS322	A	Stainless Steel Grade 304	IP66	Brushed Satin Finish	2 x M20
			3P	SDS323					
			3P+NL	SDS323NL					
			3P+N	SDS323N					
			3P+2EB Aux	SDS323EB					
		40A	CS40R	2P	SDS402	B	Stainless Steel Grade 304	IP66	Brushed Satin Finish
3P				SDS403					
3P+NL				SDS403NL					
3P+N				SDS403N					
3P+2EB Aux				SDS403EB					
GX40		6P	SDS406	B	Stainless Steel Grade 304	IP66	Brushed Satin Finish	2 x M20 + 2 x M25	
		6P+2EB Aux	SDS406EB						
63A		CS63	2P	SDS632	B	Stainless Steel Grade 304	IP66	Brushed Satin Finish	2 x M20 + 2 x M25
			3P	SDS633					
			3P+NL	SDS633NL					
	3P+N		SDS633N						
	3P+2EB Aux		SDS633EB						
Changeover Switch-Disconnectors (I-O-II)									
	20A	GX20	2P	SCODS202	A	Stainless Steel Grade 304	IP66	Brushed Satin Finish	2 x M20
			3P	SCODS203					
			4P	SCODS204					
	40A	GX40	2P	SCODS402	B	Stainless Steel Grade 304	IP66	Brushed Satin Finish	2 x M20 + 2 x M25
			3P	SCODS403					
			4P	SCODS404					

# Technical Data Sheet

## Stainless Steel Enclosed Switchgear Range

CDPD113  
Issue 3

### Stainless Steel Sloping Roof Enclosed Switchgear

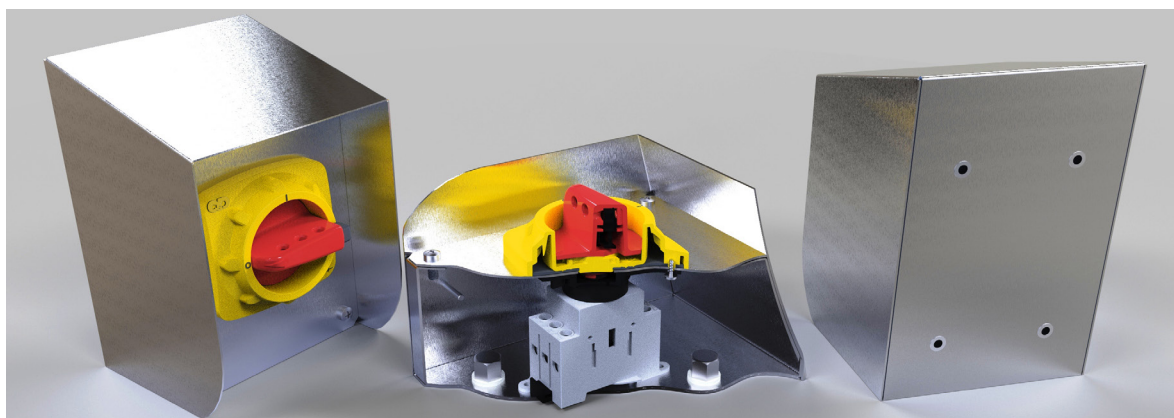
A range of isolation equipment housed in Grade 316 stainless steel enclosures, supplied with a specially designed stainless steel 'sloping roof'. These units are ideally suited for hygienic environments with their associated severe cleaning routines. The design has been created to minimise areas where dirt can accumulate and incorporates a flush rear surface and universal fixing sealed to IP66.

All units are supplied with a handle manufactured from a material suitable to withstand cleaning products containing sodium hydroxide. All units have a padlockable handle which allow for the insertion of up to three padlocks in the 'Off' position thus preventing the isolator being switched to the 'On' position. All units are interlocked in the ON position preventing the lid from being removed.

'N' = switched neutral (Early make, late break) | 'EB' = Early break auxiliary contacts

Optional pre-drilled bottom entries can be supplied. For 2xM20 in Size A Enclosures add suffix '/M20' to the Cat. No. e.g. SDSSR253/M20 | For 2xM25 in Size B Enclosures add suffix '/M25' to the Cat. No. e.g. SDSSR253/M25.

Switch-Disconnectors (O-I)										
Image	Rating	Interior Switch	Format	Cat. No.	Encl. Size	Encl. Material	IP Rating	Encl. Colour	Roof Angle	Cable Entries
	20A	GX20	6P	SDSSR206	A	Stainless Steel Grade 316	IP66	Brushed Satin Finish	15° Slope	None
			6P+2EB AUX	SDSSR206EB						
	25A	CS25	2P	SDSSR252	A	Stainless Steel Grade 316	IP66	Brushed Satin Finish	15° Slope	None
			3P	SDSSR253						
			3P+2EB AUX	SDSSR253EB						
			3P+N	SDSSR253N						
32A	CS32	2P	SDSSR322	A	Stainless Steel Grade 316	IP66	Brushed Satin Finish	15° Slope	None	
		3P	SDSSR323							
		3P+2EB AUX	SDSSR323EB							
		3P+N	SDSSR323N							
	40A	CS40R	2P	SDSSR402	B	Stainless Steel Grade 316	IP66	Brushed Satin Finish	15° Slope	None
			3P	SDSSR403						
			3P+2EB AUX	SDSSR403EB						
			3P+N	SDSSR403N						
	40A	GX40	6P	SDSSR406	B	Stainless Steel Grade 316	IP66	Brushed Satin Finish	15° Slope	None
			6P+2EB AUX	SDSSR406EB						
	63A	CS63	2P	SDSSR632	B	Stainless Steel Grade 316	IP66	Brushed Satin Finish	15° Slope	None
			3P	SDSSR633						
			3P+2EB AUX	SDSSR633EB						
			3P+N	SDSSR633N						
80A	CS80	2P	SDSSR802	B	Stainless Steel Grade 316	IP66	Brushed Satin Finish	15° Slope	None	
		3P	SDSSR803							
		3P+2EB AUX	SDSSR803EB							
		3P+N	SDSSR803N							



Section view showing the enclosures flush rear face with 'sealed' fixings that ensure the IP66 seal is maintained.

# Technical Data Sheet

## Stainless Steel Enclosed Switchgear Range

CDPD113  
Issue 3








### Fixed Lid Accessories

All of the accessories listed below can be retrofitted. One block can be fitted either side of the main assembly on all of the 3 pole Switch-Disconnectors interiors.

Description	Cat. No.
Auxiliary Contact- 2 Early Break	SAUX2EB
Auxiliary Contact- 1 N/O + 1 N/C	SAUXCO
25A- 40A Compact Neutral (Unswitched)	SNLC40
63A Neutral (Unswitched)	SNL63
80A Neutral (Unswitched)	SNL80
25A Neutral (Switched)	SSP25
40A Neutral (Switched)	SSP40
63A Neutral (Switched)	SSP63
80A Neutral (Switched)	SSP80
External Fixing Feet for 20A- 32A	EFA
External Fixing Feet for 40A- 63A	EFB
External Fixing Feet for 80A- 100A	EFC

### Technical Specification

Data supplied against tests to IEC/BS EN 60947-3

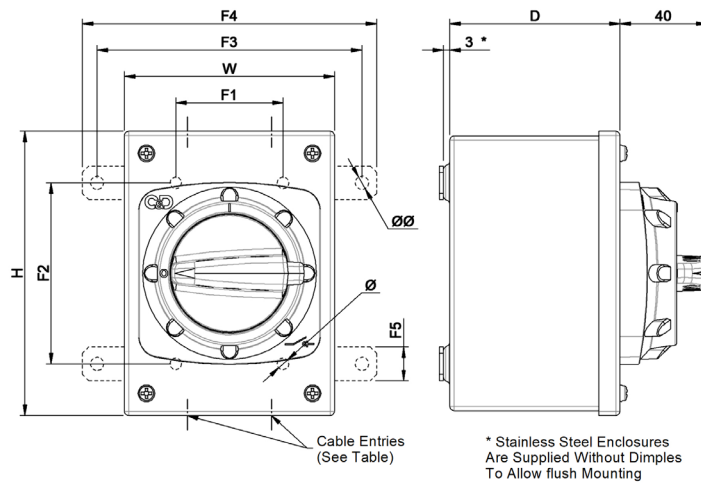
Application	Sym	Unit	Category	20A	25A	32A	40A		63A	80A
Interior Switch		-		GX20	CS25	CS32	GX40	CS40R	CS63	CS80
Rated thermal current	$I_{the}$	A		20	25	32	40	40	63	80
Rated insulation voltage	$U_i$	V		690	690	690	690	690	690	690
Rated impulse voltage	$U_{imp}$	kV		6	6	6	6	6	6	6
Rated operational Current	$I_e$	A	400V- AC23A (3 phase AC 50/60Hz)							
Rated operational power (Single phase)		kW	230V- AC23	-	3.7	4.8	-	6.0	9.4	-
Rated operational power (Three phase)		kW	380/440- AC23	7.5	11	15	18.5	15	25	30
			500V- AC23	7.5	15	15	15	15	30	37
			690V- AC23	7.5	15	15	15	15	30	30
Rated short time withstand current	$I_{cw}$	A	1 Sec	250	500	600	800	600	1300	1400
Max. fuse size for short circuit protection (gG Characteristic)		kA	10kA	20	35	35	40	40	80	80
			25kA	16	32	32	35	32	63	63
			50kA	-	32	32	-	32	63	63
Recommended connecting capacity		-	Terminal type							
		mm <sup>2</sup>	Flexible cable	2.5x2	6	6	6 x 2	6	16	16
		mm <sup>2</sup>	Rigid cable	2.5x2	10	10	10 x 2	10	25	25
		Nm	Tightening torque	1.0	1.2	1.2	1.0	1.2	1.2	1.2

# Technical Data Sheet

## Stainless Steel Enclosed Switchgear Range

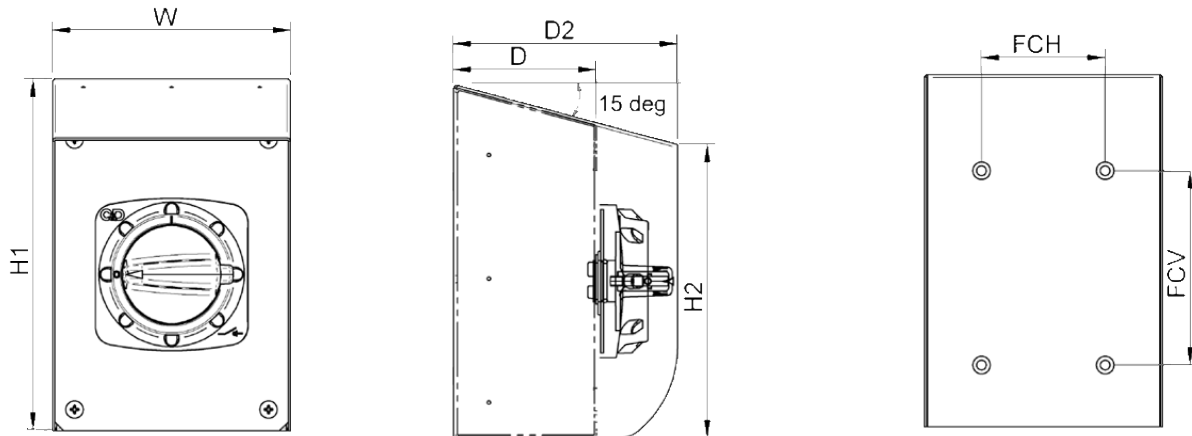
CDPD113  
Issue 3

### SDS Stainless Steel Dimensions



Encl. Size	Overall Dims.			Internal Fixings			External EFA/EFB Fixings				Cable Entries	
	H	W	D	F1	F2	∅	F3	F4	F5	∅∅	Top	Bottom
Size A	135	100	80	51	86	5.5	126	140	16	6.35	--	2x M20
Size B	175	130	100	81	126	5.5	155	178	16	6.35	2x M20	2x M25
Size C	310	200	100	146	256	6.5	228	249	20	6.35	Centre mark dimples for on-site drilling to suit	

### SDSSR Stainless Steel Sloping Roof Dimensions



Encl. Size	Overall Dims.					Internal Fixings		
	H1	H2	W	D	D2	FCH	FCV	∅
Size A	200	165	135	80	127	70	110	5.5
Size B	240	200	185	100	147	90	130	5.5